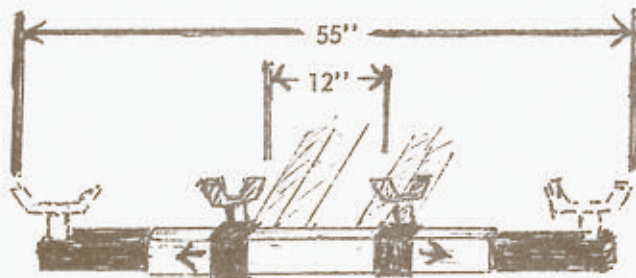


# Air FRAME Jack

Model FAJ

By MEYER Hydraulics

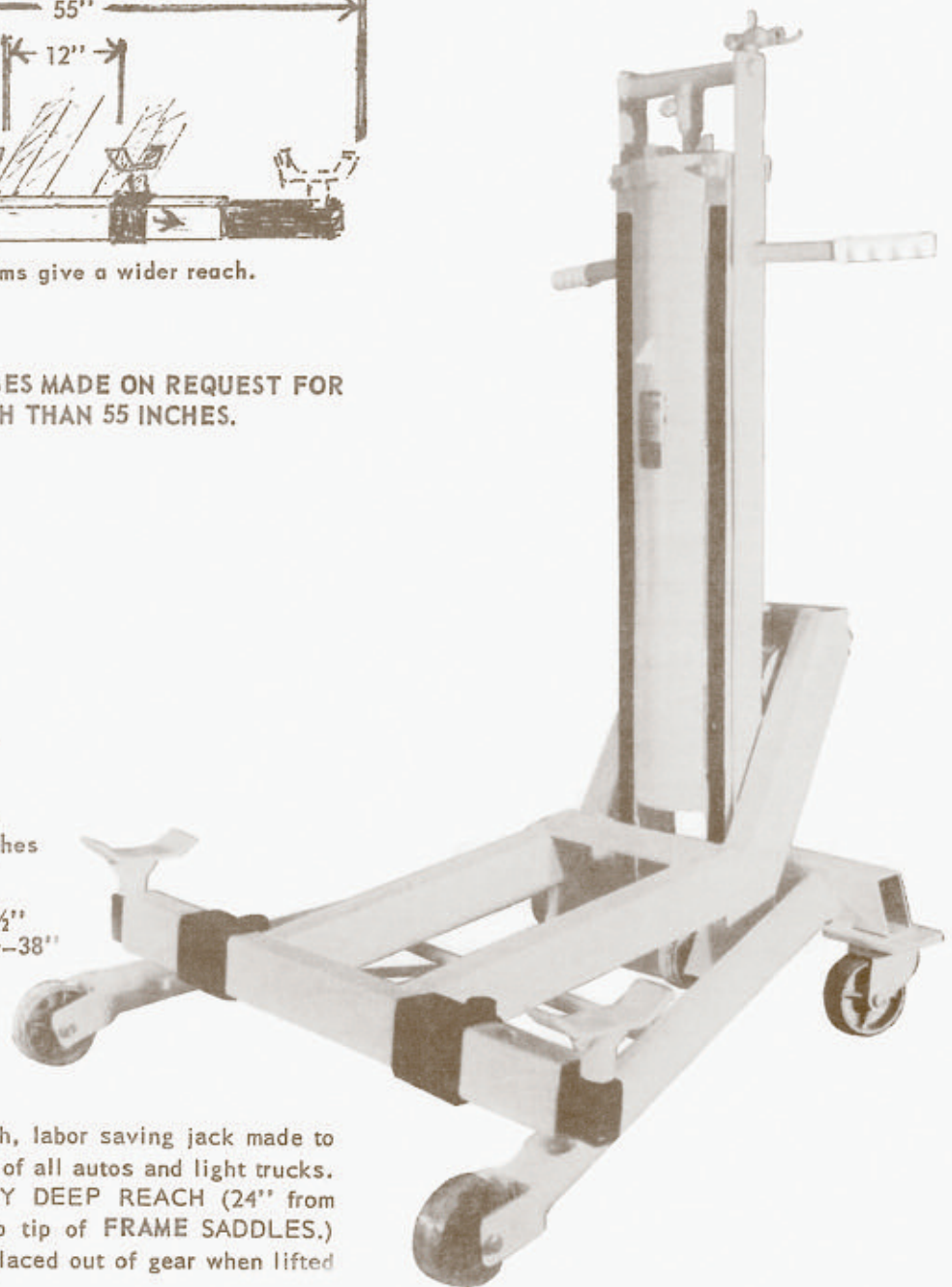


Sliding arms give a wider reach.

OPTIONAL SLIDE TUBES MADE ON REQUEST FOR  
WIDER REACH THAN 55 INCHES.

#### SPECIFICATIONS:

- ◆ Capacity—4000 lbs.
- ◆ All 4" steel wheels  
front fixed  
rear castored
- ◆ 4" frame rollers with  
needle bearings
- ◆ Weight—255 lbs.
- ◆ 360° rotating saddles
- ◆ 3 positive safety catches
- ◆ Width and length 35"
- ◆ Jack Height—50"
- ◆ Low saddle height—9½"
- ◆ Highest saddle height—38"



Here is a quick, smooth, labor saving jack made to be used on the FRAME of all autos and light trucks. This jack has a VERY DEEP REACH (24" from front of air cylinder to tip of FRAME SADDLES.) Vehicles need not be placed out of gear when lifted by this jack.



EVERYWHERE . . . .

MEYER HYDRAULICS

DISTRIBUTED BY: