

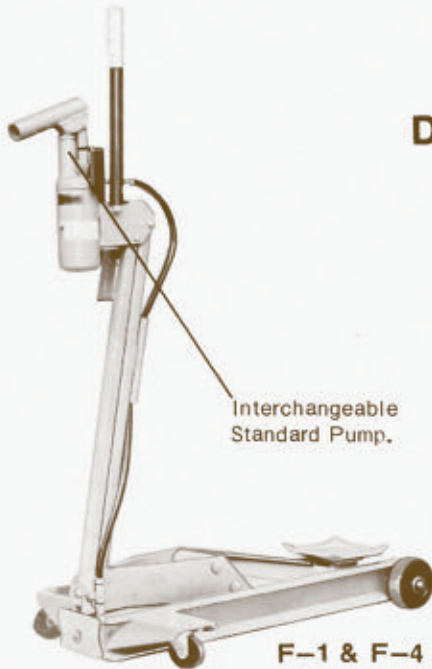
MODELS F-1, F-4 and F-10 FLOOR JACKS



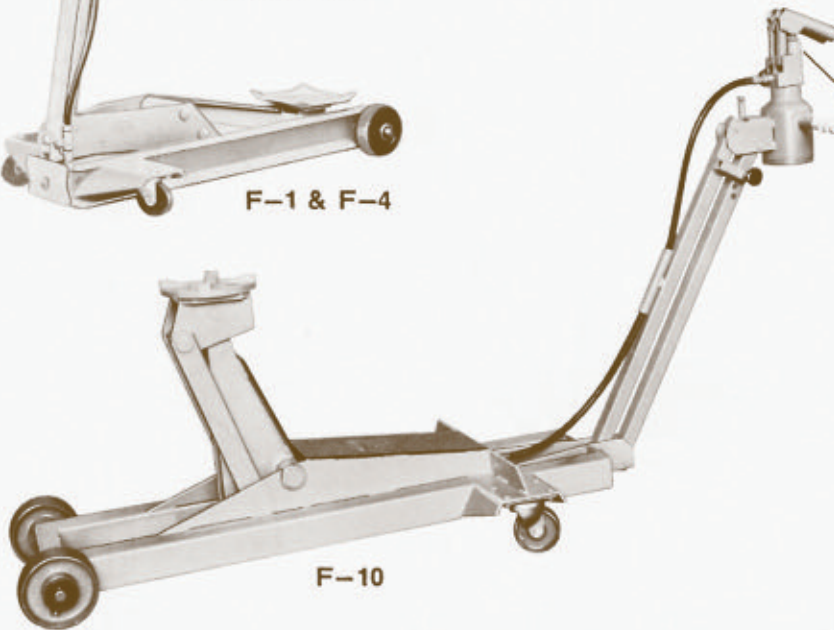
The Unique Floor Jacks Designed To Meet Your Standards Of Excellence

"Lock Position" handles allow full stroke jacking in all 5 positions because the pump is at the end of the handle.

Specially designed anti-twist and "topleft-pruf" frames lessen the chances for slippage or frame damage.



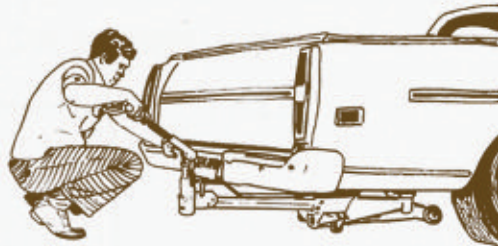
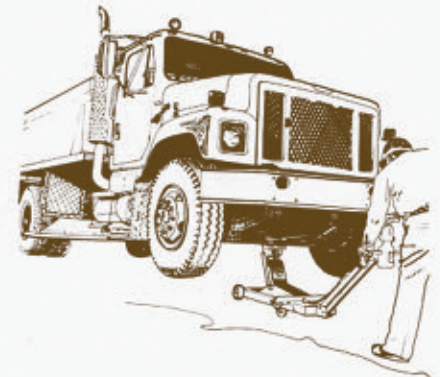
F-1 & F-4



TRI SPEED PUMP

RAPID LIFT - For raising saddle quickly.
MEDIUM LIFT - For raising light vehicles.
POWER LIFT - For raising heavy vehicles.

F-10



MEYER HYDRAULICS CORPORATION
CENTREVILLE, MI 49032
616/467-6302

SPECIFICATIONS	F-1	F-4	F-10
Capacity	1½ Ton	2 Ton	10 Ton
Saddle Low	4¼"	5½"	6¼"
Saddle High	20"	21"	25½"
Chassis Width	16½"	15"	24¼"
Chassis Length	32"	32"	58"
Overall Length	73½"	78"	105"
Frame Height	6½"	7"	10"
Front Wheel Dia.	4"	4"	6"
Caster Wheel Dia.	2½"	2½"	4"
Swivel Saddle Dia.	6"	6"	8"
Shipping Weight	100 lbs.	115 lbs.	330 lbs.

