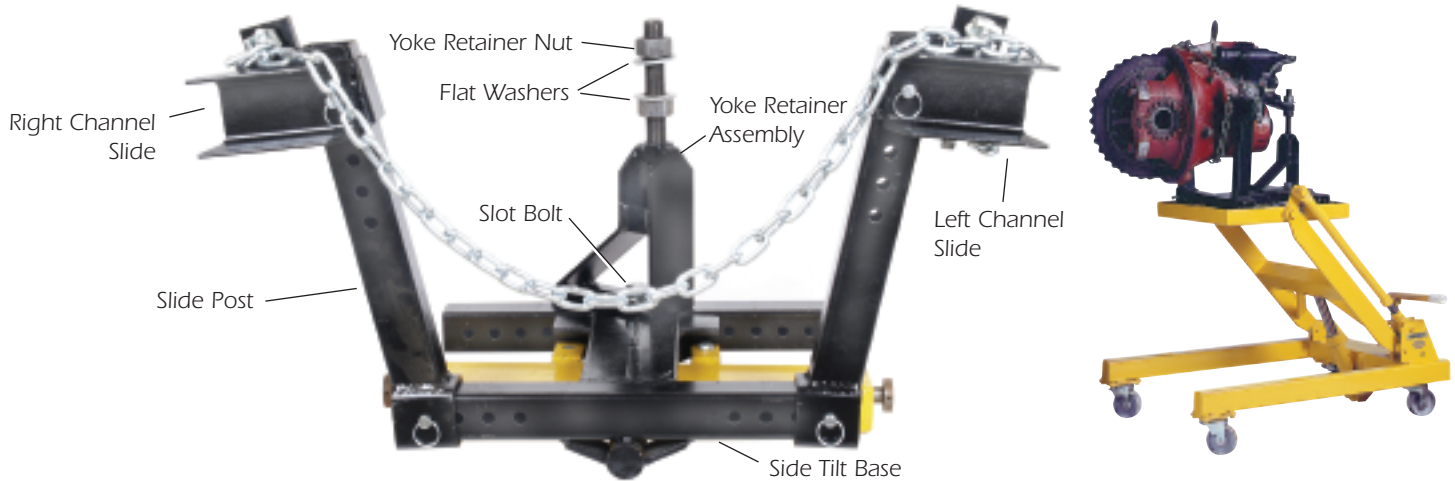


## TTJ-DH Drivetrain Handler

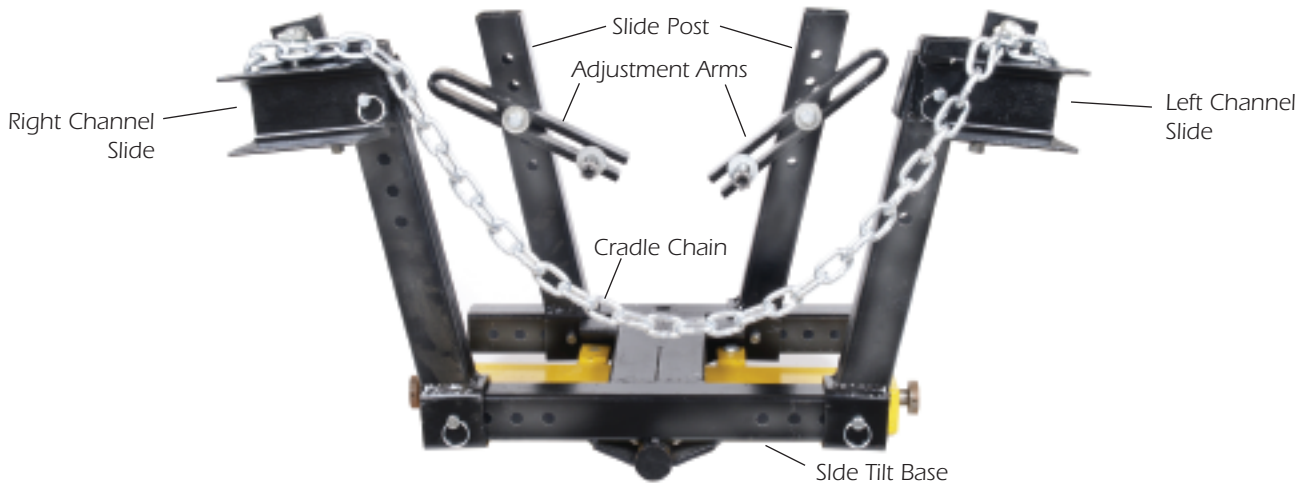
### Operating Instructions

September 14, 2004



#### Option #1 Ideal for Rear Differentials

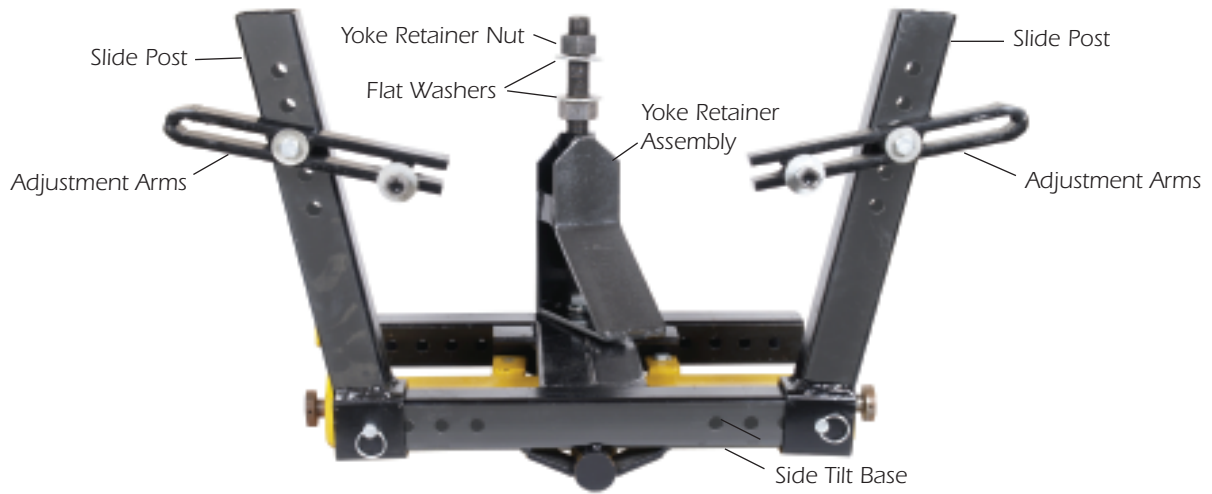
- 1 The Slide Posts must be close to the differential case and be pinned to the Side Tilt Base.
- 2 Place and pin the Channel Slides as high as possible.
- 3 The Cradle Chain must fully support the load by not touching (or just barely touching) the Side Tilt Base.
- 4 The differential yoke must be between the 2 Flat Washers of the Yoke Retainer Assembly.
- 5 Tighten the Slot Bolt after all the adjustments have been completed.



#### Option #2 Rear Differentials & Transfer Cases

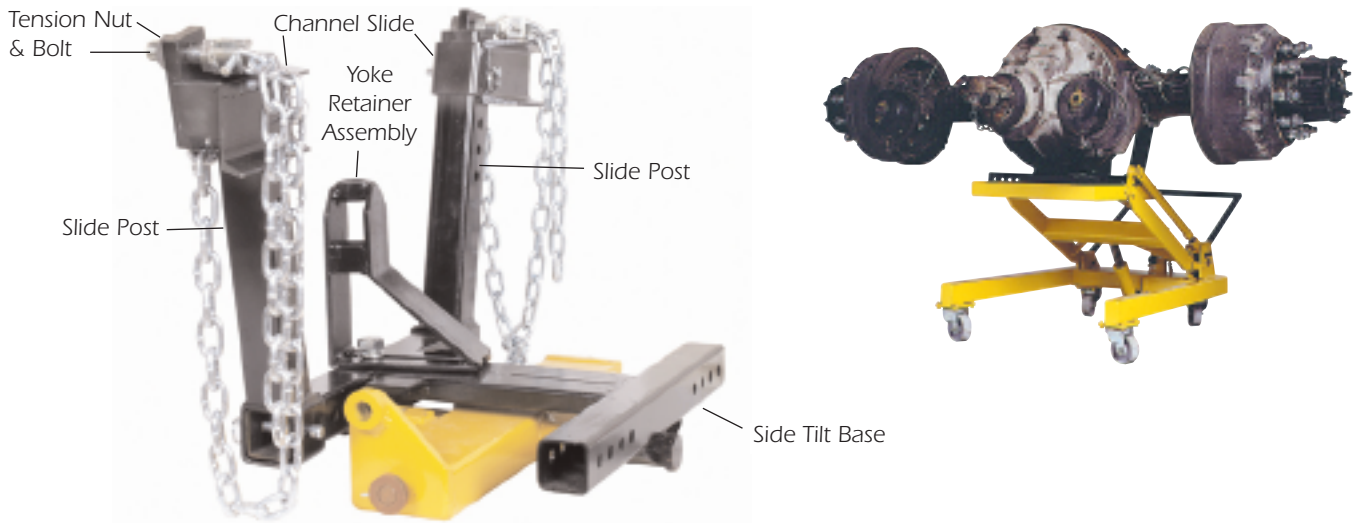
This is the same configuration as in Option #1, but instead of "spearing" the differential yoke you can bolt unto the outside case.

- 1 Make sure all the Slide Posts are pinned to the Side Tilt Base and are close to the case to be supported.
- 2 Place and pin the Channel Slides as high as possible.
- 3 The Cradle Chain must fully support the load by not touching (or just barely touching) the Side Tilt Base.
- 4 Bolt the Adjustment Arms unto the case, and then unto the Slide Posts.
- 5 When removing large transfer cases, it is recommended that the TTJDH-FA Yoke Retainer Assembly (not shown) be used to butt against the bottom of the case for added stability. Wrap a chain or heavy-duty strap around the lower portion of the case and through the Yoke Retainer. Twist the chain to remove any slack and then bolt the chain together. This "belt" prevents any fore or aft movement of the case.



### Option #3 Rear Differentials & Light Cases

- 1 The Slide Posts must be close to the outside case and be pinned to the Side Tilt Base.
- 2 Bolt the Adjustment Arms unto the case, and then unto the Slide Posts.  
 Note: Cases and assemblies that weight less than 275 pounds may be extended up to 12 inches beyond the Side Tilt Base.
- 3 \*The differential yoke must be between the 2 Flat Washers of the Yoke Retainer Assembly.
- 4 \*Tighten the Slot Bolt after all the adjustments have been completed.  
 (\*)necessary steps only when working with differentials.



### Option #4 Entire Axle Assemblies

- 1 Have the Slide Posts pinned to the Side Tilt Base in the widest configuration possible and have the Yoke Retainer bolted on, but loose.
- 2 Raise the jack up until the rear-end housing rests on the Side Tilt Base.
- 3 Adjust the Channel Slides to where the channel flanges can rest on the axle housing.  
 Be careful not to pinch any brake lines, etc.
- 4 Pass the Cradle Chains under, then around the axle housings. Pull the chains tight and pin the chain to the Tension Bolts. Tighten the Tension Bolt Nut to only remove all slack. It is not necessary to hardchoke the housing.
- 5 Butt the Yoke Retainer up against the rear-end housing and tighten the Slot Bolt.