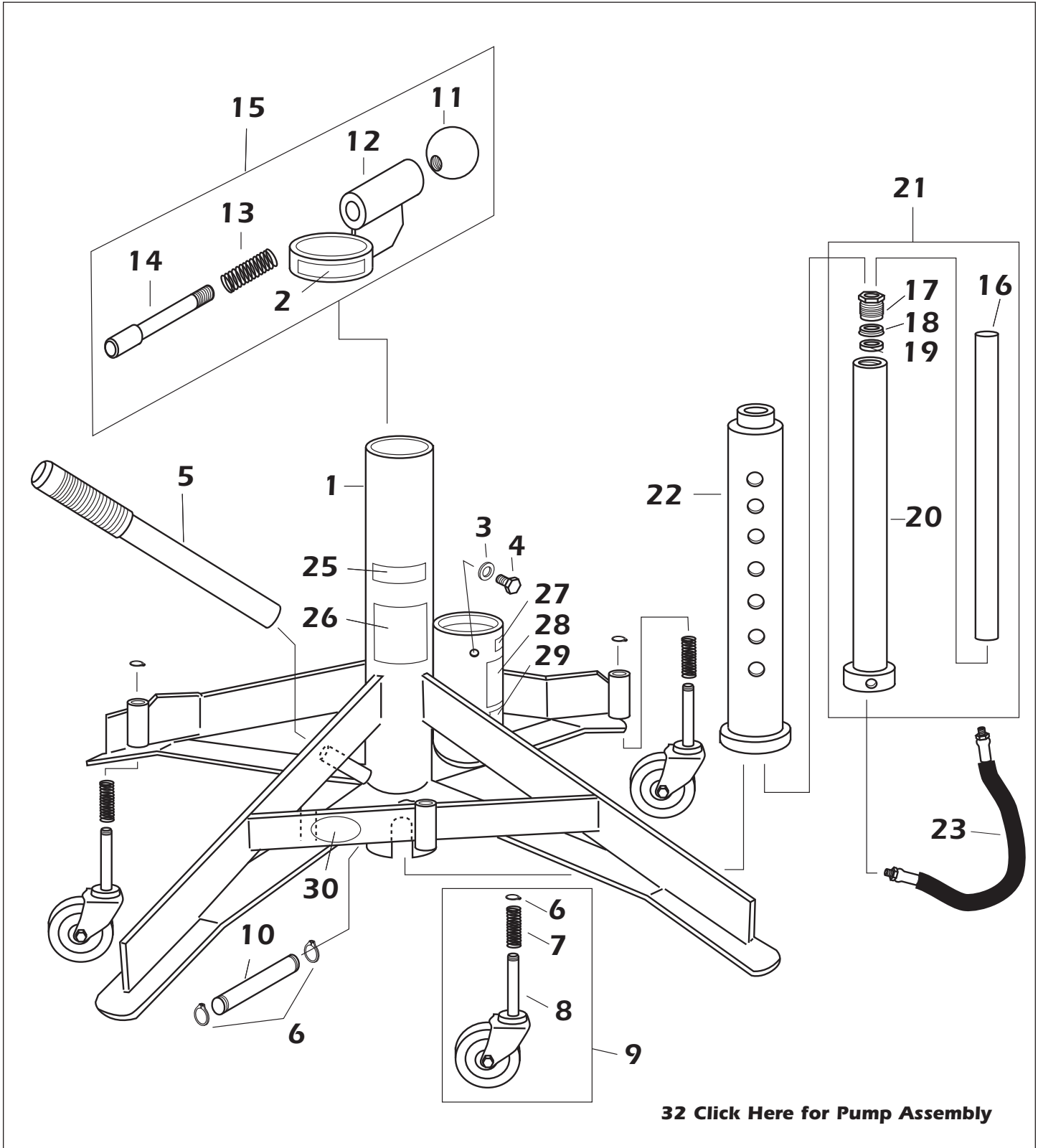


A400 4-Leg Series Aircraft Jacks & Accessories

A419 and A421 Aircraft Jacks

July 15, 2008



32 [Click Here for Pump Assembly](#)

Parts List

A419 and A421 Aircraft Jacks

No.	Part No.	Description	#/Unit
1	A419-A	Frame Weldment	1
1	A421-A	Frame Weldment	1
2	8021	Lock Pin Warning Label	1
3	5400	Teflon Washer	1
4	6235	Reservoir Fill Bolt	1
5	EX-16	Extension Handle	1
6	6700	Snap Rings	5
7	7430	Caster Spring	3
8	7215	Caster	3
9	CWAC-A	Caster Assembly	3
10	A400-51	Cylinder Retention Pin	1
11	6180	Pull Knob	1
12	A419-L	Lock Pin Housing	1
13	7420	Spring	1
14	A400-8	Pull Locking Pin	1
15	A419-LPA	Lock Pin Assembly	1
16	RS-A419	Hydraulic Piston	1
16	RS-A421	Hydraulic Piston	1
17	D100-6	Gland Nut	1
18	5031	Hydraulic Polypak Seal	1
19	D100-7	Seal Spacer	1
20	RC-A419	Hydraulic Cylinder	1
20	RC-A421	Hydraulic Cylinder	1
21	MR-A419	Hydraulic Cylinder Assembly	1
21	MR-A421	Hydraulic Cylinder Assembly	1
22	AT41919	Slide Tube	1
22	AT42121	Slide Tube	1
23	MH-18	Hose Assembly	1
25	8120	6,000# Capacity Sticker	1
26	8005	MHC Corporate Decal	1
27	8050	Oil Level Sticker	1
28	8051	Oil Instruction Sticker	1
29	8040	Product Service Sticker	1
30	7890	Brass Tag with Rivets	1
32	MP-22AP	Pump Assembly (not shown)	
33	K-150B	Hydraulic Repair Kit (not shown) (includes pump repair kit items plus 5031 Seal)	1