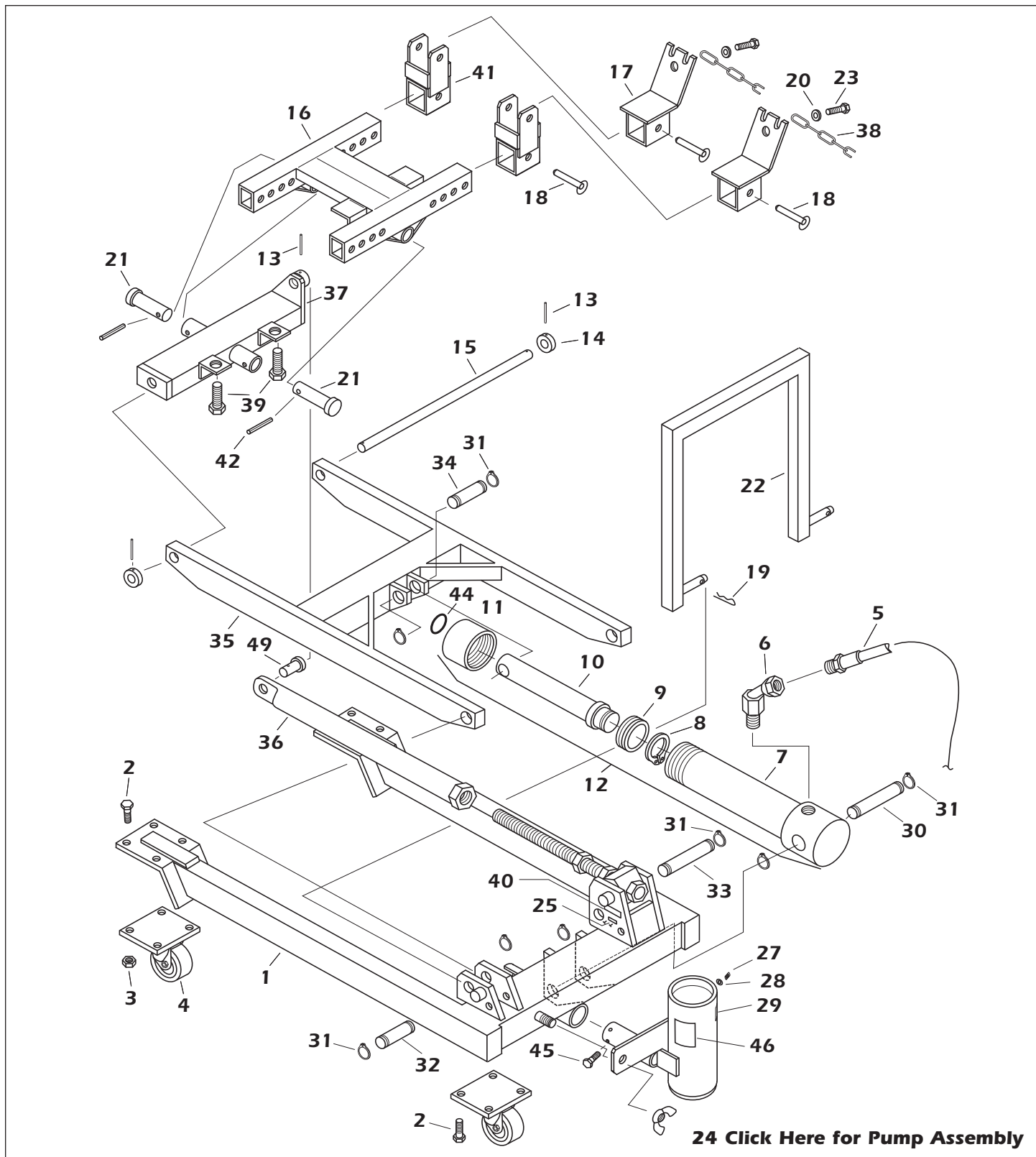


TTJ & TTJ3 Transmission Jacks

Parts List

May 15, 2008



Parts List

No.	TTJ Part No.	TTJ3 Part No.	Description	#/Unit
1.	TTJ-L	TTJ3-L	Main Frame	1
2.	6252	6252	3/8" x 1" NC HH Bolt	16
3.	6025	6025	3/8" NC Hex Nut	8
4.	7252	7252	Caster Assy.	4
5.	MH-13	MH-13	Hyd. Hose Assy.	1
6.	5635	5635	45 Degree Fitting	1
7.	RC-TTJ	RC-TTJ3	Hyd. Ram Cylinder	1
8.	6720	6725	Snap Ring	1
9.	HSS- 175	HSS-200	Hyd. Seal Set	1
10.	RS-TTJ	RS-TTJ3	Hyd. Ram Shaft	1
11.	D175-2	D200-1	Cylinder Cap	1
12.	MR-TTJ	MR-TTJ3	Hyd. Ram Assy.	1
13.	6949	6949	1/8" x 1-1/2" Spring Pin	3
14.	TTJ-52	TTJ-52	Pivot Pin Retainer	2
15.	TTJ-16	TTJ-16	Saddle Support/Arm Pin	1
16.	TTJ-F	TTJ-F	Side Tilt Saddle	1
17.	TTJ-C	TTJ-C	Cradle Slide	4
18.	6870	6870	Cotterless Hitch Pin	4
19.	6840	6840	Hairpin Cotter	1
20.	6610	6610	3/8" SAE Washer	4
21.	TTJ-60	TTJ-60	Saddle Tilt Pin	2
22.	TTJ-I	TTJ-I	Push-Pull Handle	1
23.	6255	6255	3/8" x 1-1/4" NC HH Bolt	4
24.	MP-TTJ	MP-TTJ	Pump Assembly (not shown)	1
25.	7890	7890	Brass Tag w/rivets	1
26.	8005	8005	MHC Decal	2
27.	6235	6235	5/16" x 1/2" NF HH Bolt	1
28.	5400	5400	Teflon Washer	1
29.	8050	8050	Oil Fill Label	1
30.	TTJ-41	TTJ-41	Cylinder Pivot Pin	1
31.	6710	6710	3/4" External Snap Ring	8
32.	TTJ-38	TTJ-38	Small Arm/Frame Pivot Pin	1
33.	TTJ-40	TTJ-40	Long Arm/Frame Pivot Pin	1
34.	TTJ-39	TTJ-39	Shaft Pivot Pin	1
35.	TTJ-H	TTJ3-H	Lift Arm Weldment	1
36.	TTJ-B	TTJ-B	In-Line Tilt Pipe	1
37.	TTJ-G	TTJ-G	Saddle Support	1
38.	7831	7831	1/4" x 96" Cradle Chain	2
39.	6393	6393	3/4" x 2" NC HH Bolt	2
40.	8100	8110	Capacity Sticker	1
41.	TTJ-P	TTJ-P	Cradle Elevator	4
42.	6960	6960	1/4" x 1-1/2" Spring Pin	2
43.	K- 175	K-200	Hyd. Repair Kit (not shown)	1
44.	5310	5312	Wiper Ring	1
45.	6220	6220	5/16" x 1" Special Bolt	2
46.	8051	8051	Oil Instruction Sticker	1
47.	8005	8005	MHC Corporate Label (not shown)	2
48.	8040	8040	Product Service Sticker (not shown)	1
49.	TTJ-57	TTJ-57	Pipe Anchor Pin	1